



To: Members of the Southwest U.S. Kendo & Iaido Federation (SWKIF)
 Members of the All United State Kendo Federation (AUSKF)
 Invited Guests

Date: March 3, 2011

From: Yong Cho and Tom Yosenick, Tournament Co-Chairmen

RE: 2011 Nabeshima Cup & Texas Open Kendo Taikai

Every two years the Dallas/Fort Worth Kendo and Iaido Kyokai hosts the Nabeshima Cup Invitational Kendo Tournament in Dallas. This year we are pleased to announce that the 13th Nabeshima Cup Taikai and the 7th Texas Open Kendo Taikai will be held on Saturday, April 30, 2011, followed by a banquet that night. 2011's Nabeshima Cup taikai will be also offering a Women's division (Mudansha to San Dan for age 16+), making the Nabeshima Cup a four division event: Mudansha, Yudansha, Women, and Youth. We are extremely pleased to announce that Jeffrey Marsten Sensei (Kendo Kyoshi 7 dan – Former President of AUSKF) will be returning as our guest of honor.

Itinerary

- Friday, April 29 SWKIF Board of Directors Meeting 6:30-9:30 pm
 Seminar Conducted by our Guests of Honor 6:30-9:30 pm
- Saturday, April 30 Nabeshima Cup: (Mudansha, Yudansha, Youth (Ages 10-13 and 14-16), Women) 9:00-5:00 pm
 Texas Open Kendo Division: Yondan and above 3:00-5:00 pm
 Banquet 7:30 pm-
- Sunday, May 1 SWKIF Kendo Shinsa (rank promotion testing up to Yondan) 9:00 am-12 pm

All primary activities will be held at **The Greenhill School's gymnasium located at 4141 Spring Valley Road, Addison, TX 75001**. The Saturday evening banquet will be held at the banquet hall in the Crowne Plaza Hotel North Dallas-Addison. See attached Itinerary of Events and maps for further information.

Hotel Accommodations: We have reserved a block of rooms at the Crowne Plaza Hotels North Dallas-Addison. Booking is first-come, first-served. The block of rooms is reserved under the code name KDT at a rate of \$79+tax (approx. \$89.27) per night for a single/double standard room. Reservations should be made by April 7, 2011, to receive the special rate.

Crowne Plaza Hotel North Dallas-Addison
 14314 Midway Road
 Addison, TX 75001
 Tel #972-980-8877 or 1-800-948-0424 Code Name: KDT

Please complete and return all applicable seminar and taikai registration package materials to their correct location and by their specific deadline. Registrations this year for the Seminar and Taikai can also be made online. Please see www.dfwkik.org/nabeshima for copies of this registration package and online registration.

Should you have any questions or comments, please do not hesitate to contact us at any time.

On behalf of the SWKIF and the DFWKIK,

Yong Cho
Tournament Co-Chairman
Phone: 214.909.1342
email: tournamentdirectors@dfwkik.org

Tom Yosenick
Tournament Co-Chairman
214.533.4545

Seminar and Taikai/Tournament Registration:

18352 Dallas Pkwy. #136-208
Dallas, TX 75287 USA
email: treasurer@dfwkik.org

www.dfwkik.org/nabeshima

Contents/Attachments

SEMINAR, TAIKAI, & FOOD REGISTRATION AND MAILING

1. Nabeshima Cup and Texas Open Announcement Letter (Previous Page)
2. Contents/Attachments (This Page)
3. Itinerary of Events
4. Seminar, Taikai, & Food Registration Form
5. Event Waiver of Liability
6. Governing Regulations
7. Event Location/Map

** SHINSA MATERIAL is not attached with this Registration Package but is available on the www.dfwkik.org/nabeshima.
Please submit shinsa material to SWKIF directly.

ITINERARY OF EVENTS

(Schedule Subject to Change)

Friday, April 29, 2011

- 4:30 – 6:30 PM Pre-Registration – Crowne Plaza Hotel North Dallas-Addison
- 6:30 – 9:30 PM SWKIF Board of Directors Meeting – Crowne Plaza Hotel North Dallas-Addison
- 6:30 – 9:30 PM Seminar conducted by Marsten Sensei – The Greenhill School gymnasium

Saturday, April 30, 2011 – The Greenhill School Cox & Phillips Gymnasiums

- 8:00 – 8:45 AM Registration of Competitors; Shinai weigh-in
- 9:00 AM Opening Ceremony
- 9:15 AM Nabeshima Cup, Division Matches
Youth – Ages 10-13 and 14-16
Women – Mudansha to Sandan for age 16+
Mudansha – 1st Kyu and below
Yudansha – Shodan to Sandan
- 1:00 PM Lunch
- 1:45 PM Nabeshima Cup, Division Matches
Women – Mudansha to Sandan for age 16+
Mudansha – 1st Kyu and below
Yudansha – Shodan to Sandan
- 3:00 PM Texas Open Kendo Tournament
Yudansha – Yondan and above
- 3:45 PM Nabeshima Cup & Texas Open Semifinals and Finals
Women – Mudansha to Sandan for age 16+
Mudansha – 1st Kyu and below
Yudansha – Shodan to Sandan
- 4:45 PM Awards Presentation & Closing Ceremony
- 5:00 PM Open Practice (Time Permitting)

Saturday, April 30, 2011 – Crowne Plaza Hotel North Dallas-Addison banquet hall

- 7:30 PM Dinner Banquet at Crowne Plaza Hotel North Dallas-Addison banquet hall
Dinner starts promptly at 7:30pm
- ~9:30 PM Second Dojo at Mr. Sushi

Sunday, May 1, 2011 – Shinsa @ The Greenhill School Gymnasiums

- 8:00 AM Registration
- 9:00 AM Kendo Promotional Exams Start
- Goodwill Keiko after Testing (Time Permitting)

REGISTRATION FORM

Name: _____ Age (at time of event): _____
 Address: _____ Phone: _____-_____
 City: _____ State: _____ Zip: _____
 e-mail: _____
 Dojo: _____ Regional Federation: _____
 Kendo Rank: _____ Yrs./Mo. Practicing Kendo _____

Please mark the appropriate items and fill in the fee amount.

Friday Seminar (\$10)	<input type="checkbox"/>	\$ _____
Youth Division Taikai (\$10)	<input type="checkbox"/>	\$ _____
check one: <input type="checkbox"/> Ages 10-13 <input type="checkbox"/> Ages 14-16		
Women's Division Taikai (\$35)	<input type="checkbox"/>	\$ _____
(Mudansha to Sandan for age 16+)		
Nabeshima Cup Taikai (\$35)	<input type="checkbox"/>	\$ _____
(No rank to Ikkyu)		
Shodan to Sandan Taikai (\$35)	<input type="checkbox"/>	\$ _____
Texas Open Taikai (No Entry Fee)	<input type="checkbox"/>	\$ <u>N/A</u>
(Yondan and Up)		
Saturday Lunch	<input type="checkbox"/>	\$ _____
Saturday Lunch for Shimpan	<input type="checkbox"/>	\$ <u>N/A</u>
Saturday Dinner	<input type="checkbox"/>	\$ _____
T-Shirt (\$15) size x # _____	<input type="checkbox"/>	\$ _____
circle size: M L XL		
Tournament Fund Donation	<input type="checkbox"/>	\$ _____
GRAND TOTAL		\$ _____

Food Choices:

SATURDAY LUNCH OPTIONS:

- a) Roast Beef Sandwich, Caesar Salad, and a soft drink
(\$10) x # _____ = \$ _____
- b) Ham Sandwich, Caesar Salad, and a soft drink
(\$10) x # _____ = \$ _____
- c) Pasta Salad and a soft drink
(\$10) x # _____ = \$ _____
- d) Bento Lunch for Shimpan
(Free of Charge) x # 1 = \$ N/A

Sub Total: \$ _____

SATURDAY DINNER/BANQUET OPTIONS:

- #1. Beef & Cheese Lasagna with Pomodoro Sauce,
Caesar Salad, Tiramisu Cake & Ice Tea
(\$30) x # _____ = \$ _____
- #2. Pan Seared Chicken Breast, Garlic Mashed Potatoes
Garden Salad, Chocolate Fudge Cake & Ice Tea
(\$30) x # _____ = \$ _____
- #3. Vegetarian Menu – Cheese Lasagna with Pomodoro Sauce
Caesar Sald, Tiramisu Cake & Ice Tea
(\$30) x # _____ = \$ _____
- #4. Children's Menu (Age 12 & Under) – Chicken Tenders
French Fries, Chef's Choice of Dessert & Ice Tea
(\$15) x # _____ = \$ _____

Sub Total: \$ _____

SUNDAY: No Lunch Provided

Please return this registration form for the Seminar and/or Taikai along with the waiver of liability and a check payable to "Dallas/Fort Worth Kendo & Iaido Kyokai" or "DFWKIK" by **MONDAY, APRIL 18, 2011.**

REFUND POLICY: Once the registration form and payments are submitted to DFWKIK, Friday, April 22, 2011 is the last day to cancel participation for a full refund (including meals). Afterwards, unless the event is cancelled, no refunds will be made.

No late registrations will be taken for the taikai (tournament).

Seminar and Taikai/Tournament Mailing Address: DFWKIK Taikai Registration
 18352 Dallas Pkwy. #136-208
 Dallas, TX 75287 U.S.A.

**** PLEASE SUBMIT SHINSA MATERIAL TO SWKIF DIRECTLY.**

WAIVER OF LIABILITY

FOR PARTICIPATION OF EVENTS IN THE 2011 NABESHIMA CUP TAIKAI AND ALL ASSOCIATED ACTIVITIES

I, the below signed Participant, intending to be legally bound, do hereby, for myself, my heirs, assigns, executors and administrators, waive, release, and forever discharge any claims for damages, illness, injuries and/or death which may hereafter accrue to me against the Dallas/Fort Worth Kendo & Iaido Kyokai, the Southwest Kendo & Iaido Federation, The Greenhill School, their members, employees, instructors, agents, invited senseis and participants in the 2011 Nabeshima Cup Taikai, ShoDan to SanDan Division Taikai, Youth Division Taikai, Women Division Taikai, Texas Open Taikai and related activities for any and all damages which may be sustained or suffered by me in connection with, in association with, travel to or from or participation in the 2011 Nabeshima Cup Taikai, ShoDan to SanDan Division Taikai, Youth Division Taikai, Women Division Taikai Texas Open Taikai and related activities. I further agree to indemnify and hold harmless the Dallas/Fort Worth Kendo & Iaido Kyokai, the Southwest Kendo & Iaido Federation, The Greenhill School, their members, employees, instructors, agents, invited senseis and participants in the 2011 Nabeshima Cup Taikai, ShoDan to SanDan Division Taikai, Youth Division Taikai, Women Division Taikai and Texas Open Taikai for any claims I may have outlined herein.

Participant:

_____ Date: _____

*Parent or Legal Guardian:

_____ Date: _____

*(Note: Parent or Legal Guardian must sign if the Participant is under the age of eighteen years old.)



GOVERNING REGULATIONS FOR 2011 NABESHIMA CUP & TEXAS OPEN KENDO TAIKAIS

- I. The Nabeshima Cup Invitational Kendo Tournament is a set of individual tournaments comprised of 4 brackets held for kenshi holding a rank of SanDan or lower (Youth, Women, Mudansha, and Yudansha) and the Texas Open, an individual tournament held for all kenshi holding a rank of YonDan or higher. The Nabeshima Cup Invitational Kendo Tournament is designed to promote friendship among fellow kenshi and to allow kenshi to gain experience in Shiai Kendo.
- II. All participants of the Texas Open and other attending kenshi of YonDan rank or higher will be asked to be shimpan for the Nabeshima Cup brackets. All senior kenshi will be asked to be shimpan for the Texas Open, and shimpan needs may require that some participants in the Texas Open also shimpan. We ask that all shimpan bring formal attire.
- III. The Nabeshima Cup Invitational Kendo Tournaments and The Texas Open Kendo Tournament will be formatted as a Single Elimination tournaments based on the number of participants.
- IV. Matches:
 - a) All matches are Sanbon-shobu (3 point match). In the event of a forfeit, the winner is awarded 2 points.
 - b) All Nabeshima Cup matches will be 3 minutes in length with a 2 minute encho. In the event of a tie in scoring after encho, a Hantei judgment will be issued to determine the match winner.
 - c) Texas Open matches will be 4 minutes with unlimited encho.
 - d) All Semi-Final and Final matches will be 5 minutes in length with unlimited encho.
- V. Seeding Brackets:
 - a) Youth brackets will be offered for ages 16 and under. Participants in the Youth and Womens brackets may choose to enter Mudansha or Yudansha brackets depending on rank and skill, but will only be allowed to enter a single bracket.
 - b) Participants of the Nabeshima Cup brackets will be seeded according to rank, age, and dojo. Efforts will be made to avoid seeding competitors of the same dojo in the same brackets.
 - c) Seeding for the Texas Open will be conducted by draw.
 - d) Competitors will be assigned a Court and Competitor number based on their seeded position.
- VI. All equipment, including Shinai, must adhere to regulation sizes, weights, and characteristics established by the International Kendo Federation.
- VII. All decisions of the judges are final. All other Governing Regulations will follow the rules and guidance of the International Kendo Federation.
- VIII. Two perpetual trophy awards (Nabeshima Cup) will be awarded to the winners; one for the Mudansha Division and one for the Yudansha Division. Medals will also be awarded to all 2nd and 3rd place winners, as well as Kantosho (fighting spirit) for each bracket.
- IX. The Nabeshima Cups are perpetual trophies awarded to the winners. The Cups are the property of the Dallas/Ft. Worth Kendo & Iaido Kyokai, and must be returned to the organization when the next Nabeshima Cup event is held, as the winners are always invited back to defend his or her title.

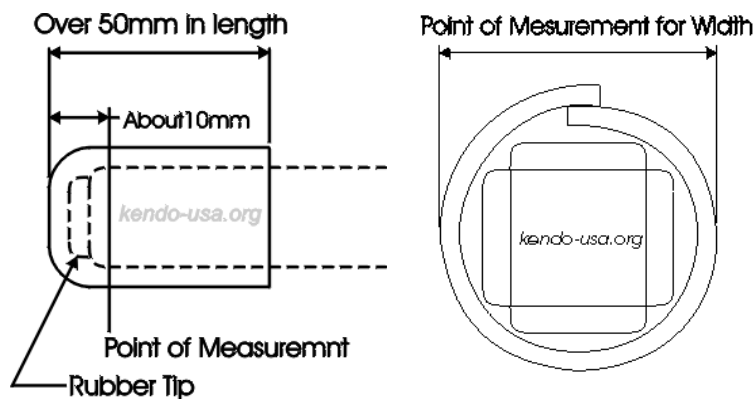
Regulations for Use of One Shinai

	gender	Grade School			Junior High School	High School	College - Adult
length	male female	99cm maximum	105cm maximum	111cm maximum	114cm maximum	117cm maximum	120cm maximum
weight	male	260g minimum	280g minimum	370g minimum	440g minimum	480g minimum	510g minimum
	female				400g minimum	420g minimum	440g minimum
Diameter of sakigawa	male				25mm minimum	26mm minimum	26mm minimum
	female				24mm minimum	25mm minimum	25mm minimum
size		3.2	3.4	3.6	3.7	3.8	3.9

Regulations for Use of Two Shinai

		long sword	short sword
length	male female	114cm maximum	62cm maximum
weight	male	440g minimum	280-300g
	female	400g minimum	250-280g
diameter of sakigawa	male	25mm minimum	24mm minimum
	female	24mm minimum	24mm minimum
size		3.7	

Measurements for the Sakigawa



2011 Nabeshima Cup Event Locations

HOTEL & SATURDAY BANQUET

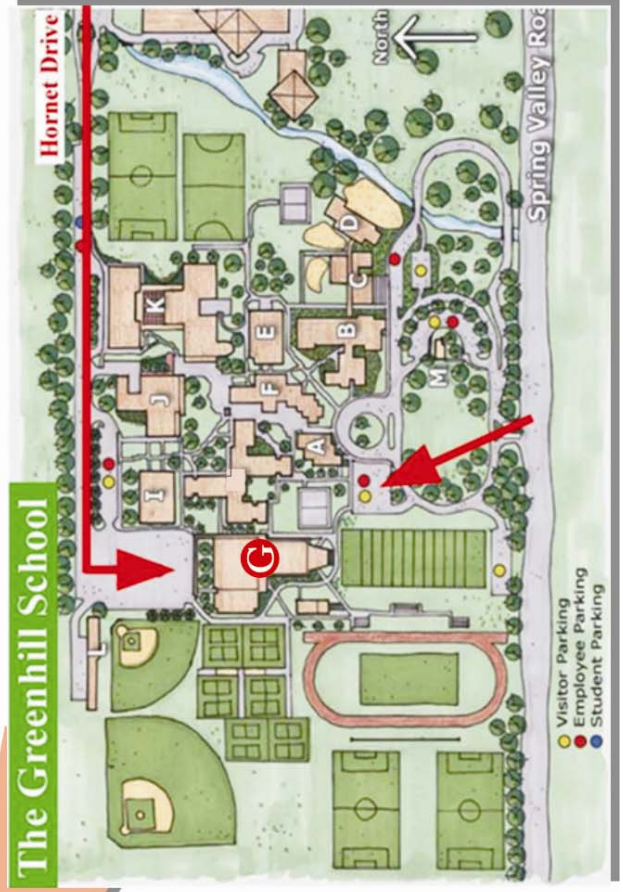
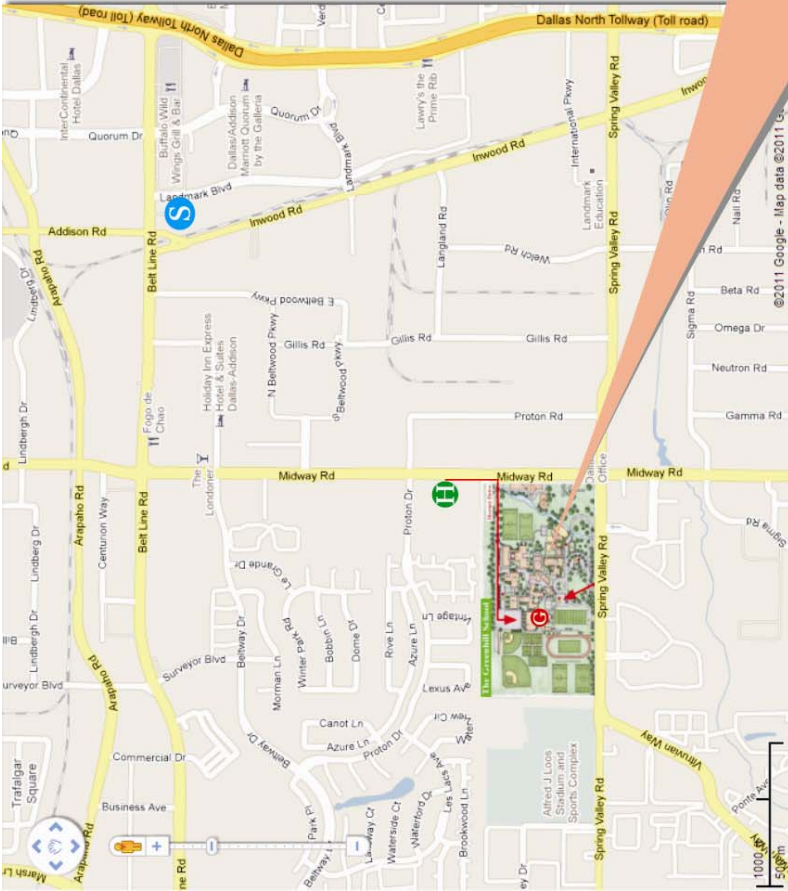
Crowne Plaza Hotel North Dallas-Addison
 14315 Midway Road
 Addison, Texas 75001
 Tel. 972-980-8877 or 1-800-948-0424
<http://www.ichotelsgroup.com/h/d/cp/1/cn/hotel/DALAD/welcome?start=1>

SEMINAR, TAIKAI, and SHINSA



The Greenhill School
 Phillips & Cox Gymnasiums
 4141 Spring Valley Rd.
 Addison, Texas 75001
<http://www.greenhill.org>

SECOND DOJO

Mr. Sushi
 4860 Belt Line Rd.
 Addison, TX 75254
 Tel. (972) 385-0168
<http://www.mrsushidallas.com>



Hotel to Primary Event Location

Hornet Rd 0.4 mi	1 min
 14314 Midway Rd. Addison, TX 75001	
1. Head south on Midway Rd toward Hornet Rd	0.1 mi
2. Take the 1st right on to Hornet Rd	0.3 mi
 Greenhill School Athletic Complex Addison, Texas 75001	