



To: Members of the Southwest U.S. Kendo & Iaido Federation (SWKIF)
 Members of the All United State Kendo Federation (AUSKF)
 Invited Guests

Date: January 23, 2013

From: Yong Cho and Jeffrey Koke, Tournament Co-Chairmen

RE: 2013 Nabeshima Cup & Texas Open Kendo Taikai

Every two years the Dallas/Fort Worth Kendo and Iaido Kyokai hosts the Nabeshima Cup Invitational Kendo Tournament in Dallas. We are pleased to announce that the 14th Nabeshima Cup Taikai and the 8th Texas Open Kendo Taikai will be held on Saturday, May 4, 2013, followed by a banquet that night. 2013's Nabeshima Cup taikai will be offering four divisions: Mudansha (1 kyu and below), Yudansha (shodan to sandan), Women (3 dan and below), and Youth. The Texas Open is open to Yondan and above. In addition, we are extremely pleased to announce that Jeffrey Marsten Sensei (Kendo Kyoshi 7 dan – Former President of AUSKF) will be returning as our guest of honor.

Itinerary

- Friday, May 3 SWKIF Board of Directors Meeting 6:30-9:30 pm
 Seminar Conducted by our Guests of Honor 6:30-9:30 pm
- Saturday, May 4 Nabeshima Cup: (Mudansha, Yudansha, Youth (Ages 10-13 and 14-16), Women) 9:00-5:00 pm
 Texas Open Kendo Division: Yondan and above 3:00-5:00 pm
 Banquet 7:30 pm-
- Sunday, May 5 SWKIF Kendo Shinsa (rank promotion testing up to Yondan) 9:00 am-12 pm

All primary activities will be held at **The Greenhill School's gymnasium located at 4141 Spring Valley Road, Addison, TX 75001**. The Saturday evening banquet will be held at the banquet hall in the Crowne Plaza Hotel North Dallas-Addison. See attached Itinerary of Events and maps for further information.

Hotel Accommodations: We have reserved a block of rooms at the Crowne Plaza Hotels North Dallas-Addison. Booking is first-come, first-served. The block of rooms is reserved under the group code KED at a rate of \$82+tax (approx. \$92.66) per night for a single/double standard room. Reservations should be made by April 11, 2013, to receive the special rate.

Crowne Plaza Hotel North Dallas-Addison
 14314 Midway Road, Addison, Texas 75001
<http://www.ichotelsgroup.com/crowneplaza/hotels/us/en/addison/dalad/hoteldetail>
 Tel #972-980-8877 or 1-800-948-0424 Group Code: KED

Please complete and return all applicable seminar and taikai registration package materials to their correct location by **April 12, 2013**. **The registration for the seminar and taikai must be completed at your dojo level as a group.** If you are the only participant from your dojo, please use the same registration form with yourself as the main contact. The copy of this registration package is available at www.dfwkik.org/nabeshima.

Should you have any questions or comments, please do not hesitate to contact us at any time.

On behalf of the SWKIF and the DFWKIK,

Yong H. Cho
Tournament Co-Chairman
Phone: 214.909.1342
email: tournamentdirectors@dfwkik.org

Jeffrey Koke
Tournament Co-Chairman
469.583.9257

Seminar and Taikai/Tournament Registration:
DFWKIK
18352 Dallas Pkwy. #136-208
Dallas, TX 75287 USA
email: treasurer@dfwkik.org

www.dfwkik.org/nabeshima

We appreciate the vendors who come to this event. However, please be advised that any products or services offered by vendors are chosen by them and are offered without any endorsement, explicit or implied, by the DFWKIK, SWKIF or the AUSKF.

*****Contents/Attachments*****

SEMINAR, TAIKAI, & FOOD REGISTRATION AND MAILING

- 1. Nabeshima Cup and Texas Open Announcement Letter (Previous Page)**
- 2. Contents/Attachments and Checklist (This Page)**
- 3. Itinerary of Events**
- 4. Registration Form Instructions**
- 5. Event Waiver of Liability**
- 6. Governing Regulations**
- 7. Event Location/Map**

**** SHINSA MATERIAL is not attached with this Registration Package but is available on the www.dfwkik.org/nabeshima. Please submit shinsa material to SWKIF directly.**

*****Checklist*****

- Completed Registration Form (Electronic Copy) – Email to tournamentdirector@dfwkik.org**
- Completed Registration Form (Hard Copy) – Mail to DFWKIK**
- Every Participant’s Signed Waiver of Liability (Hard Copies) - Mail to DFWKIK**
- One check for the Grand Total Amount Payable to “DFWKIK” - Mail to DFWKIK**

ITINERARY OF EVENTS

(Schedule Subject to Change)

Friday, May 3, 2013

6:30 – 9:30 PM SWKIF Board of Directors Meeting – Crowne Plaza Hotel North Dallas-Addison
6:30 – 9:30 PM Seminar – The Greenhill School Gymnasium

Saturday, May 4, 2013 – The Greenhill School Cox & Phillips Gymnasiums

8:00 – 8:45 AM Registration of Competitors; Shinai weigh-in
8:30 AM Shinpan Meeting in Phillips Gymnasium
9:00 AM Opening Ceremony
9:15 AM Nabeshima Cup, Division Matches
Youth – Ages 10-13 and 14-16
Women – Mudansha to Sandan for age 16+
Mudansha – 1st Kyu and below
Yudansha – Shodan to Sandan
1:00 PM Lunch
1:45 PM Nabeshima Cup, Division Matches
Women – Mudansha to Sandan for age 16+
Mudansha – 1st Kyu and below
Yudansha – Shodan to Sandan
3:00 PM Nabeshima Cup & Texas Open Semifinals and Finals
Women – Mudansha to Sandan for age 16+
Mudansha – 1st Kyu and below
Yudansha – Shodan to Sandan
4:00 PM Texas Open Kendo Tournament
Yudansha – Yondan and above
4:45 PM Awards Presentation & Closing Ceremony
5:00 PM Open Practice (Time Permitting)

Saturday, May 4, 2013 – Crowne Plaza Hotel North Dallas-Addison Banquet Hall

7:30 PM Dinner Banquet at Crowne Plaza Hotel North Dallas-Addison banquet hall
Dinner starts promptly at 7:30pm
~9:30 PM Second Dojo at Mr. Sushi

Sunday, May 5, 2013 – Shinsa @ The Greenhill School Gymnasiums

8:00 AM Registration
9:00 AM Kendo Promotional Exams Start
Godo-Keiko after Testing (Time Permitting)

*All schedules are subject to change.

WAIVER OF LIABILITY

FOR PARTICIPATION OF EVENTS IN THE 2013 NABESHIMA CUP TAIKAI AND ALL ASSOCIATED ACTIVITIES

I, the below signed Participant, intending to be legally bound, do hereby, for myself, my heirs, assigns, executors and administrators, waive, release, and forever discharge any claims for damages, illness, injuries and/or death which may hereafter accrue to me against the Dallas/Fort Worth Kendo & Iaido Kyokai, the Southwest Kendo & Iaido Federation, The Greenhill School, their members, employees, instructors, agents, invited senseis and participants in the 2013 Nabeshima Cup Taikai, ShoDan to SanDan Division Taikai, Youth Division Taikai, Women Division Taikai, Texas Open Taikai and related activities for any and all damages which may be sustained or suffered by me in connection with, in association with, travel to or from or participation in the 2013 Nabeshima Cup Taikai, ShoDan to SanDan Division Taikai, Youth Division Taikai, Women Division Taikai Texas Open Taikai and related activities. I further agree to indemnify and hold harmless the Dallas/Fort Worth Kendo & Iaido Kyokai, the Southwest Kendo & Iaido Federation, The Greenhill School, their members, employees, instructors, agents, invited senseis and participants in the 2013 Nabeshima Cup Taikai, ShoDan to SanDan Division Taikai, Youth Division Taikai, Women Division Taikai and Texas Open Taikai for any claims I may have outlined herein.

Participant:

_____ Date: _____

*Parent or Legal Guardian:

_____ Date: _____

*(Note: Parent or Legal Guardian must sign if the Participant is under the age of eighteen years old.)



GOVERNING REGULATIONS FOR 2013 NABESHIMA CUP & TEXAS OPEN KENDO TAIKAIS

- I. The Nabeshima Cup Invitational Kendo Tournament is a set of individual tournaments comprised of 4 brackets held for kenshi holding a rank of SanDan or lower (Youth, Women, Mudansha, and Yudansha) and the Texas Open, an individual tournament held for all kenshi holding a rank of YonDan or higher. The Nabeshima Cup Invitational Kendo Tournament is designed to promote friendship among fellow kenshi and to allow kenshi to gain experience in Shiai Kendo.
- II. All participants of the Texas Open and other attending kenshi of YonDan rank or higher will be asked to be shimpan for the Nabeshima Cup brackets. All senior kenshi will be asked to be shimpan for the Texas Open, and shimpan needs may require that some participants in the Texas Open also shimpan. We ask that all shimpan bring formal attire.
- III. The Nabeshima Cup Invitational Kendo Tournaments and The Texas Open Kendo Tournament will be formatted as a Single Elimination tournaments based on the number of participants.
- IV. Matches:
 - a) All matches are Sanbon-shobu (3 point match). In the event of a forfeit, the winner is awarded 2 points.
 - b) All Nabeshima Cup matches will be 3 minutes in length with a 2 minute encho. In the event of a tie in scoring after encho, a Hantei judgment will be issued to determine the match winner.
 - c) Texas Open matches will be 4 minutes with unlimited encho.
 - d) All Semi-Final and Final matches will be 5 minutes in length with unlimited encho.
- V. Seeding Brackets:
 - a) Youth brackets will be offered for ages 16 and under. Participants in the Youth and Womens brackets may choose to enter Mudansha or Yudansha brackets depending on rank and skill, but will only be allowed to enter a single bracket.
 - b) Participants of the Nabeshima Cup brackets will be seeded according to rank, age, and dojo. Efforts will be made to avoid seeding competitors of the same dojo in the same brackets.
 - c) Seeding for the Texas Open will be conducted by draw.
 - d) Competitors will be assigned a Court and Competitor number based on their seeded position.
- VI. All equipment, including Shinai, must adhere to regulation sizes, weights, and characteristics established by the International Kendo Federation.
- VII. All decisions of the judges are final. All other Governing Regulations will follow the rules and guidance of the International Kendo Federation.
- VIII. Two perpetual trophy awards (Nabeshima Cup) will be awarded to the winners; one for the Mudansha Division and one for the Yudansha Division. Medals will also be awarded to all 2nd and 3rd place winners, as well as Kantosho (fighting spirit) for each bracket.
- IX. The Nabeshima Cups are perpetual trophies awarded to the winners. The Cups are the property of the Dallas/Ft. Worth Kendo & Iaido Kyokai, and must be returned to the organization when the next Nabeshima Cup event is held, as the winners are always invited back to defend his or her title.

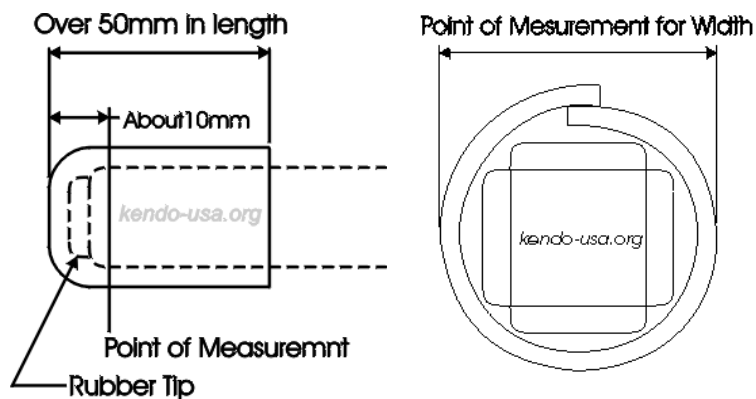
Regulations for Use of One Shinai

	gender	Grade School			Junior High School	High School	College - Adult
length	male female	99cm maximum	105cm maximum	111cm maximum	114cm maximum	117cm maximum	120cm maximum
weight	male	260g minimum	280g minimum	370g minimum	440g minimum	480g minimum	510g minimum
	female				400g minimum	420g minimum	440g minimum
Diameter of sakigawa	male				25mm minimum	26mm minimum	26mm minimum
	female				24mm minimum	25mm minimum	25mm minimum
size		3.2	3.4	3.6	3.7	3.8	3.9

Regulations for Use of Two Shinai

		long sword	short sword
length	male female	114cm maximum	62cm maximum
weight	male	440g minimum	280-300g
	female	400g minimum	250-280g
diameter of sakigawa	male	25mm minimum	24mm minimum
	female	24mm minimum	24mm minimum
size		3.7	

Measurements for the Sakigawa



Nabeshima Cup Event Locations

H HOTEL & SATURDAY BANQUET

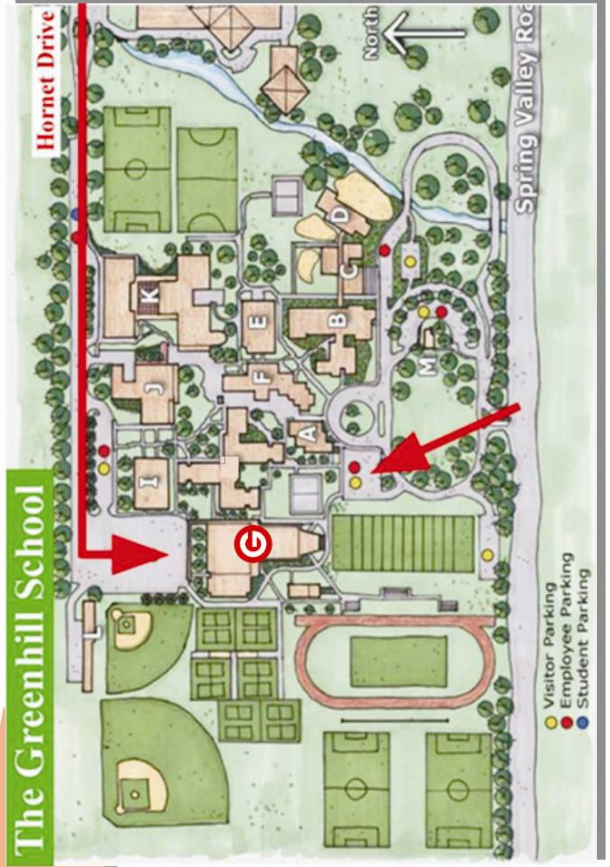
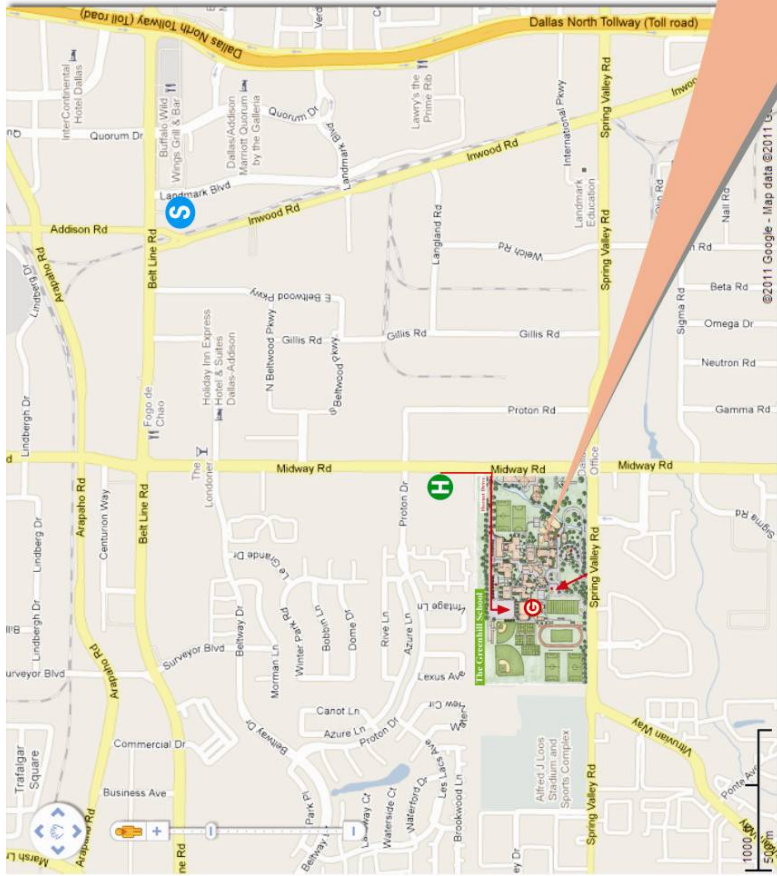
Crowne Plaza Hotel North Dallas-Addison
 14315 Midway Road
 Addison, Texas 75001
 Tel. 972-980-8877 or 1-800-948-0424
<http://www.ichotelsgroup.com/crowneplaza/hotels/us/en/addison/dalad/hoteldetail/>

G SEMINAR, TAIKAI, and SHINSA

The Greenhill School
 Phillips & Cox Gymnasiums
 4141 Spring Valley Rd.
 Addison, Texas 75001
<http://www.greenhill.org>

S SECOND DOJO

Mr. Sushi
 4860 Belt Line Rd.
 Addison, TX 75254
 Tel. (972) 385-0168
<http://www.mrsushidallas.com>



Hotel to the Greenhill School

Hornet Rd
 0.4 mi
 1 min

H 14314 Midway Rd.
 Addison, TX 75001

1. Head south on Midway Rd toward Hornet Rd _____ 0.1 mi
2. Take the 1st right on to Hornet Rd _____ 0.3 mi

G Greenhill School Athletic Complex
 Addison, Texas 75001